

### HXL-Series II , Vacuum / Pressure Pumps

# HXL2V

#### ◆ Mechanical Oil Pump

- Automatic Oiling.
- No Adjustment Required.
- Delivers Right Amount of Oil at All Working Levels.

#### ◆ End Thrust Protection

- Prevents Rotor-to-Endcover Contact Created by Direct P.T.O. Drive or Misaligned Belt Driven Systems.

#### ◆ Double End Shaft

- Accommodates Clockwise or Counter-Clockwise Drive Systems.

#### ◆ Integral Valve

- Allows Pump to Operate in Vacuum and Pressure Mode.
- Reduces Plumbing and Installation Costs.

#### ◆ Exclusive Porting Design

- Multiple Inlet and Outlet Porting Design for Greater Ease and Plumbing Versatility.



#### ◆ Masport Quality & Performance

- Achieve Minimum 27" Hg (Intermittent).
- Bolt on Half Shafts.
- Precise Machining and Assembly.
- Heavy Duty Bearings.
- Viton Oil Seals for Longer Service Life.
- Kevlar Vanes are Heat Stabilized and Machined with Exacting Tolerances for Superior Ruggedness and Durability.
- Easy to Service.
- Superior Pump Life.

#### ◆ Performance Warranty

- One Year Warranty.

# PERFORMANCE DATA

## Performance Data – Vacuum

Pump R.P.M.	Displacement C.F.M.	S.C.F.M. and A.C.F.M. @ VACUUM										Maximum Vacuum – “Hg		
			5	10	15	18	20	22	24	25	26	27	Continuous	Intermittent
1225	53	SCFM	44	35	26	20	16	13	10	8	6	4.4	20	27
		ACFM	52	52	51	49	49	48	48	47	47	44		
1425	61	SCFM	50	39	29	22	18	14	11	9	7	4.9	20	27
		ACFM	60	59	58	55	55	54	54	52	50	49		
1750	75	SCFM	61	48	36	27	22	17	13	11	9	6	20	27
		ACFM	74	72	71	67	67	66	66	64	61	60		

## Performance Data – Pressure

Pump R.P.M.	Displacement C.F.M.	S.C.F.M. @ P.S.I.G.											Maximum Pressure – P.S.I.G.	
		5	6	7	8	9	10	11	12	13	14	15	Continuous	Intermittent
1225	53	42	40	39	39	38	38	36	35	35	32	30	15	15
1425	61	55	54	54	54	53	53	52	52	51	49	47	15	15
1750	75	67	67	66	66	65	65	64	63	62	61	58	15	15

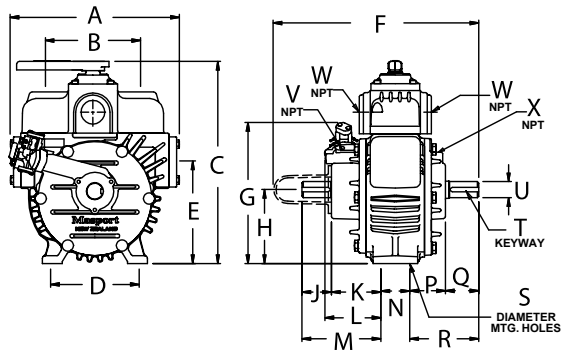
## Horsepower Required @ “Hg

Pump R.P.M.	Vacuum “Hg				
	5	10	15	20	26
1225	1.8	2.1	2.2	2.4	2.7
1425	2.1	2.4	2.5	2.8	3.1
1750	2.6	3.0	3.2	3.5	3.8

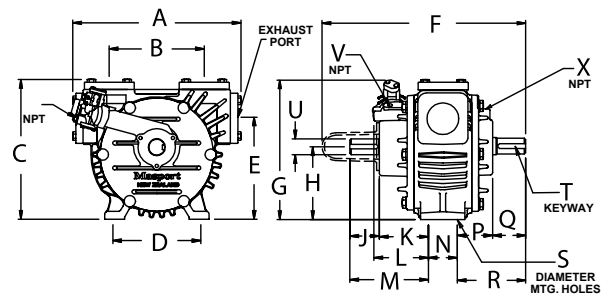
## Horsepower Required @ P.S.I.G.

Pump R.P.M.	P.S.I.G.		
	5	10	15
1225	2.9	3.1	3.9
1425	3.2	3.4	4.3
1750	4.0	4.3	5.4

# DIMENSIONAL DATA



**HXL2V / H2V**



**HXL2F / H2F**

ALL DIMENSIONS IN INCHES UNLESS STATED OTHERWISE.

	A	B	C	D	E	F	G	H	J	K	L	M	N	P	Q	R	S	T	U	V	W	X
<b>HXL2V</b>	11 11/16	6 7/16	13 31/32	6 3/32	7	13 25/32	8 27/32	5	1 11/16	3 1/16	3 9/32	4 23/32	2	2 15/32	2 9/32	4 23/32	15/32	7mm x 8mm x 1 3/8	25mm	1/8	1 1/2	1/4
<b>HXL2F</b>	11 11/16	6 7/16	9 23/32	6 3/32	7	13 25/32	8 27/32	5	1 11/16	3 1/16	3 9/32	4 23/32	2	2 15/32	2 9/32	4 23/32	15/32	7mm x 8mm x 1 3/8	25mm	1/8	1 1/2	1/4
<b>H2V</b>	11 11/16	6 7/16	13 31/32	6 3/32	7	13 3/16	---	5	2 9/32	2 15/32	---	---	2	---	---	---	15/32	7mm x 8mm x 1 3/8	25mm	---	1 1/2	1/4
<b>H2F</b>	11 11/16	6 7/16	9 23/32	6 3/32	7	13 3/16	---	5	2 9/32	2 15/32	---	---	2	---	---	---	15/32	7mm x 8mm x 1 3/8	25 mm	---	1 1/2	1/4

For additional information on these quality Masport Vacuum / Pressure Pumps contact:



## MASPORT INCORPORATED

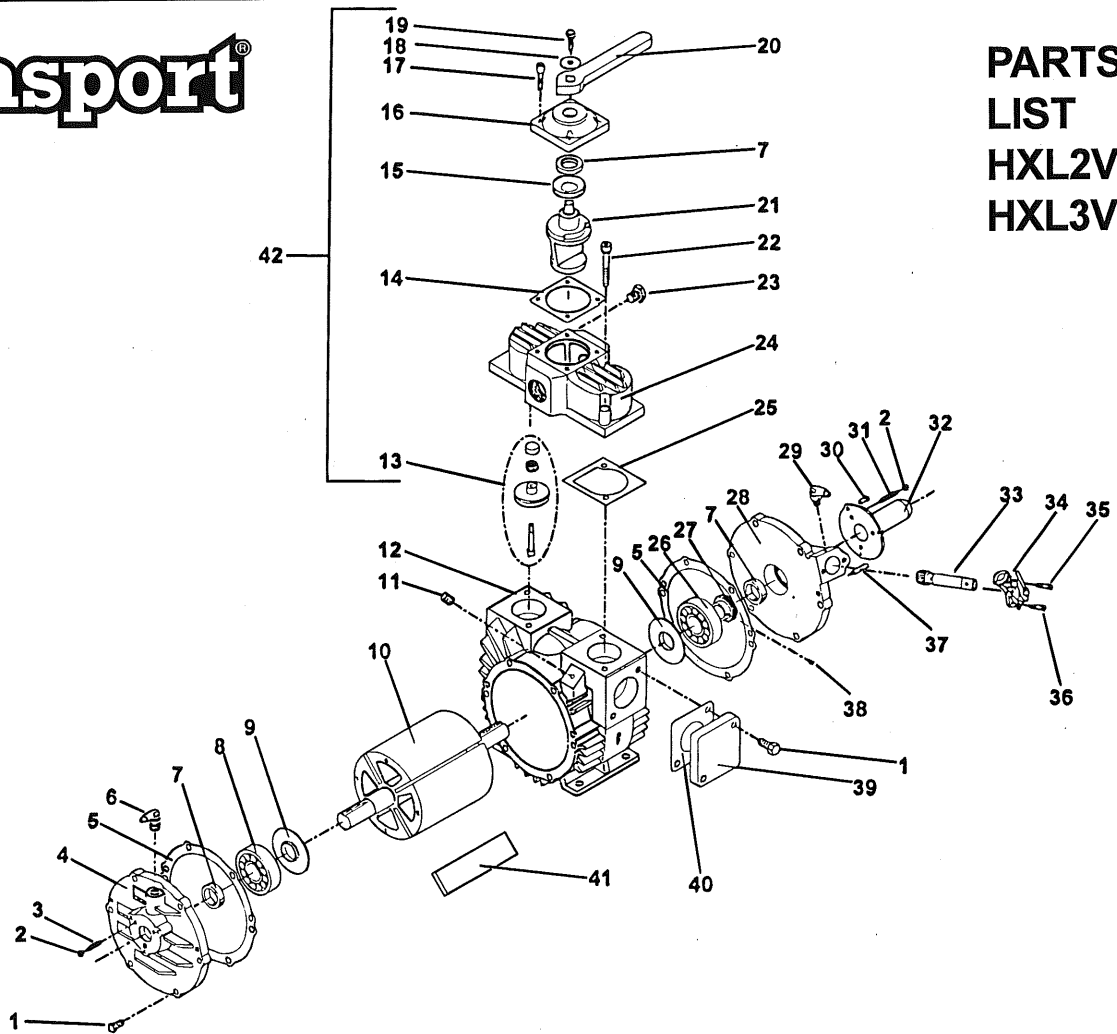
6140 McCormick Drive  
Lincoln, Nebraska 68507  
402-466-8428 FAX: 402-466-8355

[www.masportpump.com](http://www.masportpump.com)

CALL TOLL FREE 800-228-4510

# Masport®

## PARTS LIST HXL2V/ HXL3V



### HXL2V/HXL3V, AIR COOLED PRESSURE / VACUUM PUMP PARTS LIST

Ref	Description	Part No.	Part No.	Qty.	Ref	Description	Part No.	Part No.	Qty.
1	Bolt	501569	501569	16	23	Cap Screw			
2	Nut	220221	220221	6		(Serial # < 98420)	568065	568065	4
3	Set Screw	503225	503225	3		(Serial # > 98419)	568241	568241	4
4	Endcover	968242	968242	1	24	Valve Body	968081	968081	1
5	Endcover Shim Gasket .002" Thickness	575006	575006	***	25	Gasket	568066	568066	2
	.003" Thickness	575007	575007	***	26	Bearing	501575	501575	1
6	Swivel Elbow *	568086	568086	1	27	Gear	568071	568071	1
7	Oil Seal	501578	501578	3	28	Endcover	968243	968243	1
8	Bearing	501577	501577	1	29	Swivel Elbow *	568085	568085	1
9	Bearing Spacer	575131	575131	2	30	Bolt	503227	503227	3
10	Rotor Assembly (Includes 8, 9, 25)	968126	968246	1	31	Set Screw	503226	503226	3
11	Plug	—	—	2	32	Shaft Guard	975264	975264	1
12	Cylinder	975541	975551	1	33	Drive Shaft Assembly	968045	968045	1
13	NRV Poppet Assembly	968068	968068	1	34	Oil Pump	575366	575366	1
14	Gasket	568063	568063	1	35	Cap Screw	504262	504262	1
15	Washer	568056	568056	2	36	Cap Screw	504261	504261	1
16	Cap	968053	968053	1	37	Dowel Pin	575111	575111	4
17	Cap Screw	568064	568064	4	38	Set Screw	504264	504264	1
18	Washer	503196	503196	1	39	Blank Flange	975487	975487	2
19	Bolt	501702	501702	1	40	Gasket	568009	568009	2
20	Handle	968055	968055	1	41	Vane Pack (4)	975536	968236	1
21	Spool	968052	968052	1	42	Integral Valve Assembly (Incl. 7,13,14,15,16,17, 18, 19, 20, 21, 23, 24)	968070	968070	1
22	Plug	143901	143901	1	43	Oil Line (ft.) **	600293	600293	***

\* NOTE: #6 and #28 CHECK VALVES USED ON EARLIER MODELS ONLY, \*\* NOT SHOWN. \*\*\* QUANTITY VARIES.